

HDPE TRENCH DRAIN SYSTEM



Approval Date

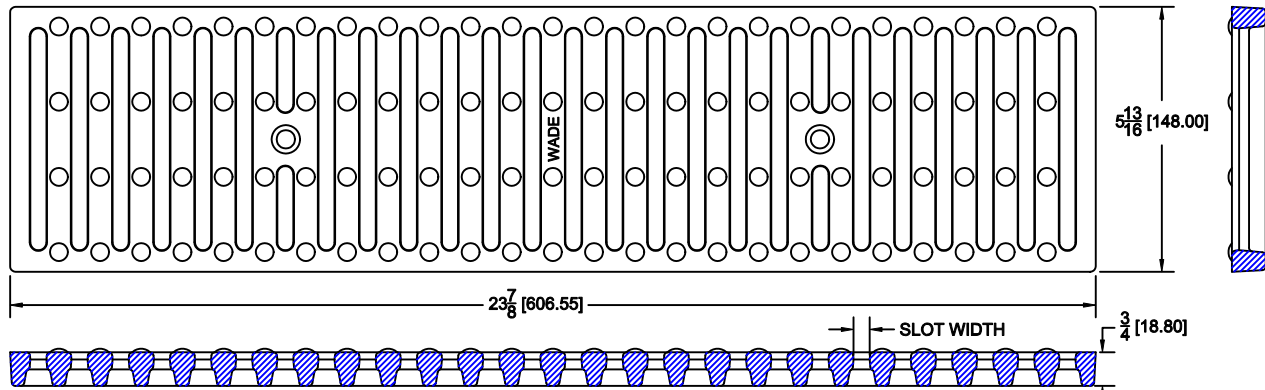
Customer Approval

Job Location

Job Name

Dimensional Data (Inches/mm) are Subject to Manufacturers Tolerance and Change Without Notice. Wade Division / Tyler Pipe Assumes No Responsibility For Superseded or Voided Data

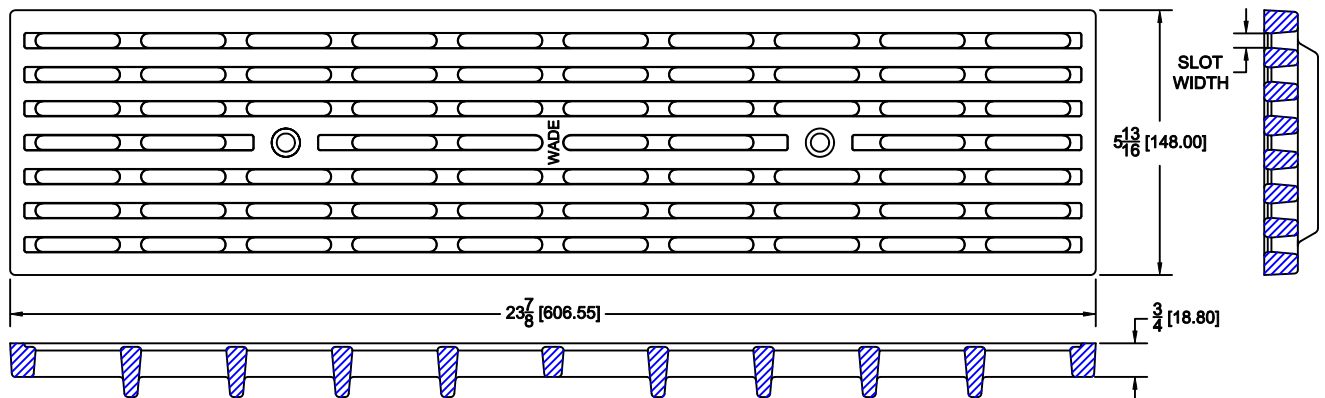
6" WIDE GRATES



HD - SLOTTED GRATE

CATALOG NUMBER	MATERIAL	UPC NO. 670610	FINISH	DIN DIN RATING	ANSI RATING	SLOT WIDTH	ADA	H-20	FAA	FREE AREA (SQ.IN.)	WGT (LBS)
HDP	DUCTILE IRON	463290	PAINTED	CLASS C	HEAVY DUTY	1 1/32"	NO	YES	NO	43.4	16.0
HDG	DUCTILE IRON	488590	GALVANIZED	CLASS C	HEAVY DUTY	1 1/32"	NO	YES	NO	43.4	16.0

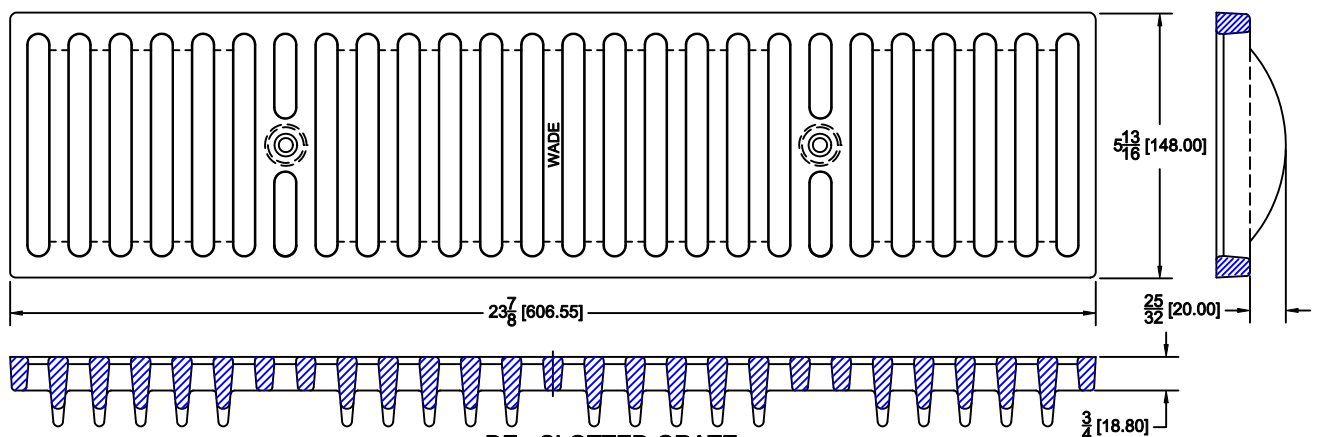
USE EITHER DLP, DLG, CLP OR CLG FRAME



HP - ADA SLOTTED GRATE

CATALOG NUMBER	MATERIAL	UPC NO. 670610	FINISH	DIN DIN RATING	ANSI RATING	SLOT WIDTH	ADA	H-20	FAA	FREE AREA (SQ.IN.)	WGT (LBS)
HPP	DUCTILE IRON	480648	PAINTED	CLASS B	MEDIUM DUTY	1/4"	YES	YES	NO	38.2	17.0
HPG	DUCTILE IRON	488576	GALVANIZED	CLASS B	MEDIUM DUTY	1/4"	YES	YES	NO	38.2	17.0

USE EITHER DLP, DLG, CLP OR CLG FRAME



DE - SLOTTED GRATE

CATALOG NUMBER	MATERIAL	UPC NO. 670610	FINISH	DIN DIN RATING	ANSI RATING	SLOT WIDTH	ADA	H-20	FAA	FREE AREA (SQ.IN.)	WGT (LBS)
DEP	DUCTILE IRON	497905	PAINTED	CLASS E	SPECIAL DUTY	15/32"	NO	YES	YES	56.9	16.0
DEG	DUCTILE IRON	497929	GALVANIZED	CLASS E	SPECIAL DUTY	15/32"	NO	YES	YES	56.9	16.0
DEE	DUCTILE IRON	497899	EPOXY	CLASS E	SPECIAL DUTY	15/32"	NO	YES	YES	56.9	16.0

USE EITHER DLP, DLG, CLP OR CLG FRAME

AutoCad.dwg

HDPE TRENCH DRAIN SYSTEM



6" WIDE GRATES

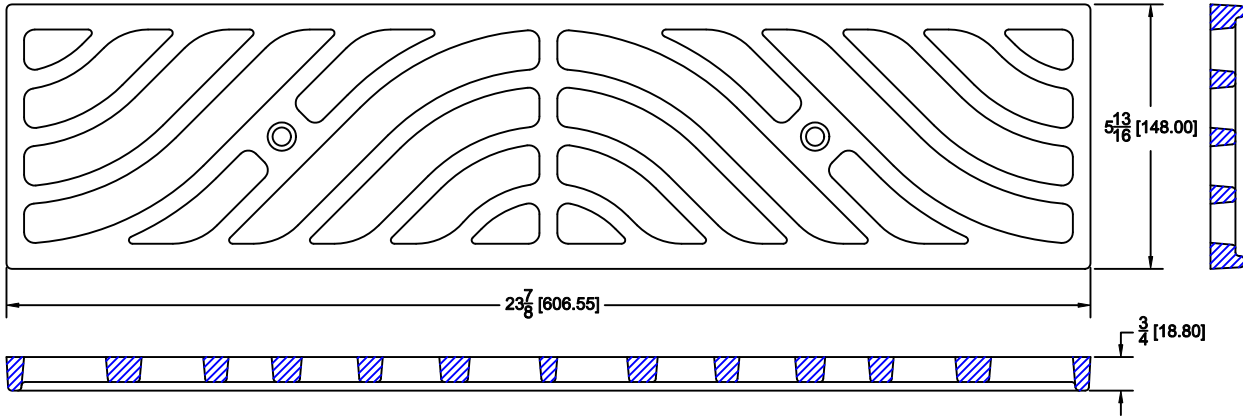
Approval Date

Customer Approval

Job Location

Job Name

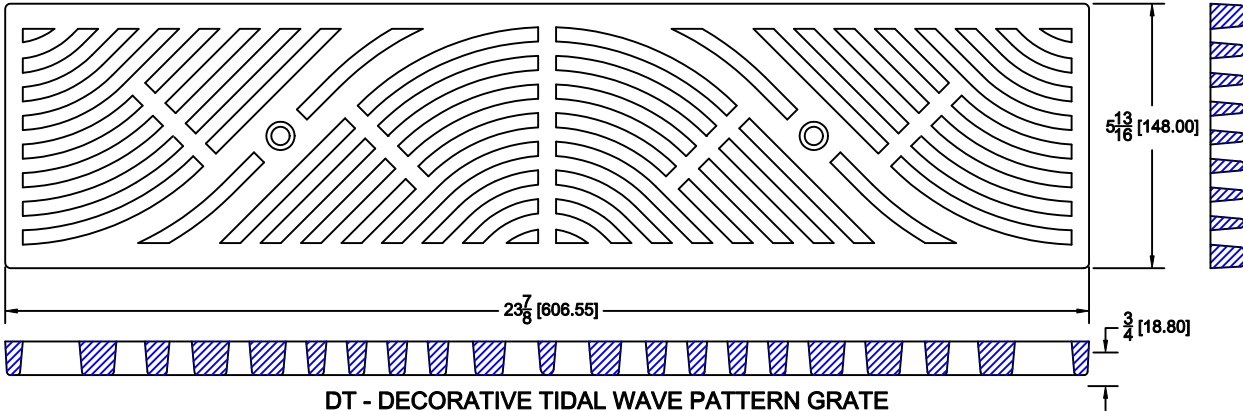
Dimensional Data (Inches/mm) are Subject to Manufacturers Tolerance and Change Without Notice. Wade Division / Tyler Pipe Assumes No Responsibility For Superseded or Voided Data



DW - DECORATIVE WAVE PATTERN GRATE

CATALOG NUMBER	MATERIAL	UPC NO. 670610	FINISH	DIN DIN RATING	ANSI RATING	SLOT WIDTH	ADA	H-20	FAA	FREE AREA (SQ.IN.)	WGT (LBS)
DWP	DUCTILE IRON	480600	PAINTED	CLASS A	LIGHT DUTY	7/8"	NO	NO	NO	70.3	8.4
DWG	DUCTILE IRON	488620	GALVANIZED	CLASS A	LIGHT DUTY	7/8"	NO	NO	NO	70.3	8.4

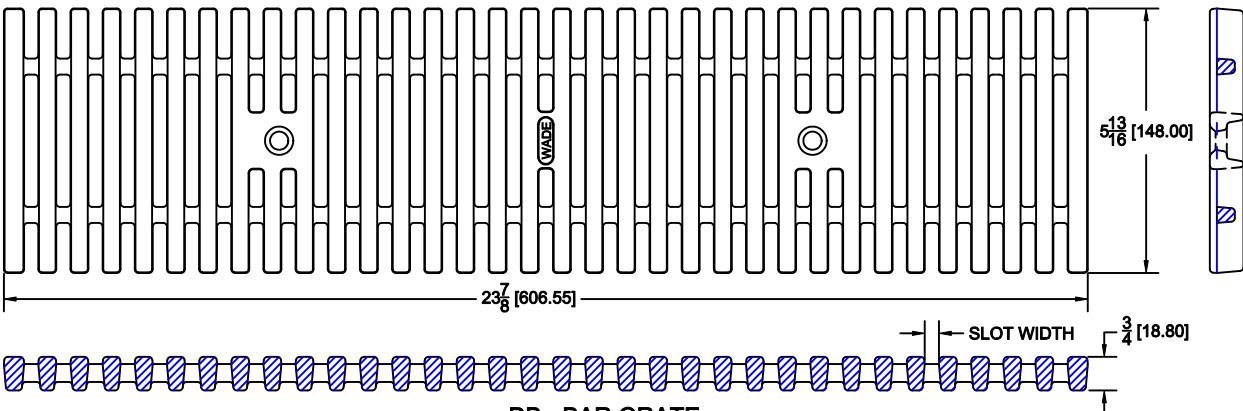
USE EITHER DLP, DLG, CLP OR CLG FRAME



DT - DECORATIVE TIDAL WAVE PATTERN GRATE

CATALOG NUMBER	MATERIAL	UPC NO. 670610	FINISH	DIN DIN RATING	ANSI RATING	SLOT WIDTH	ADA	H-20	FAA	FREE AREA (SQ.IN.)	WGT (LBS)
DTP	DUCTILE IRON	497912	PAINTED	CLASS C	HEAVY DUTY	5/16"	YES	NO	NO	46.6	16.2
DTG	DUCTILE IRON	497936	GALVANIZED	CLASS C	HEAVY DUTY	5/16"	YES	NO	NO	46.6	16.2

USE EITHER DLP, DLG, CLP OR CLG FRAME



DB - BAR GRATE

CATALOG NUMBER	MATERIAL	UPC NO. 670610	FINISH	DIN DIN RATING	ANSI RATING	SLOT WIDTH	ADA	H-20	FAA	FREE AREA (SQ.IN.)	WGT (LBS)
DBP	DUCTILE IRON	480549	PAINTED	CLASS C	HEAVY DUTY	5/16"	NO	YES	NO	38.0	11.2
DBG	DUCTILE IRON	488217	GALVANIZED	CLASS C	HEAVY DUTY	5/16"	NO	YES	NO	38.0	11.2

USE EITHER DLP, DLG, CLP OR CLG FRAME

HDPE TRENCH DRAIN SYSTEM



6" WIDE GRATES

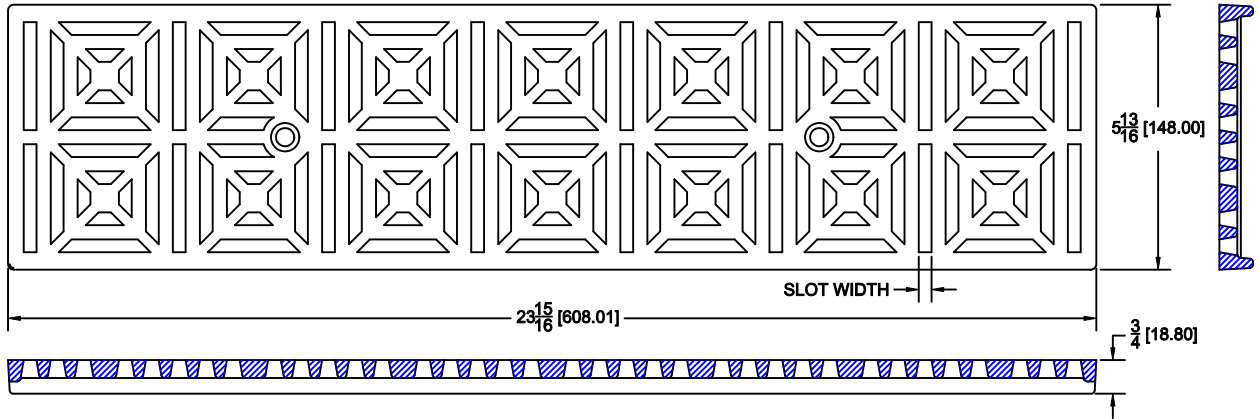
Approval Date

Customer Approval

Job Location

Job Name

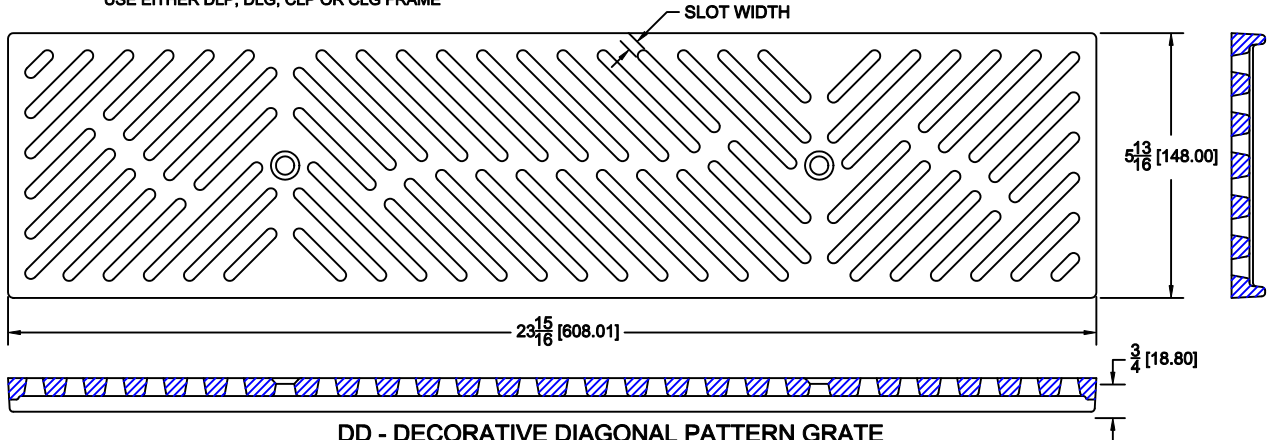
Dimensional Data (Inches/mm) are Subject to Manufacturers Tolerance and Change Without Notice. Wade Division / Tyler Pipe Assumes No Responsibility For Superseded or Voided Data



DZ - DECORATIVE SQUARE PATTERN GRATE

CATALOG NUMBER	MATERIAL	UPC NO.	FINISH	DIN DIN RATING	ANSI RATING	SLOT WIDTH	ADA	H-20	FAA	FREE AREA (SQ.IN.)	WGT (LBS)
DZP	DUCTILE IRON	480617	PAINTED	CLASS B	MEDIUM DUTY	9/32"	YES	NO	NO	46.4	10.8
DZG	DUCTILE IRON	488606	GALVANIZED	CLASS B	MEDIUM DUTY	9/32"	YES	NO	NO	46.4	10.8

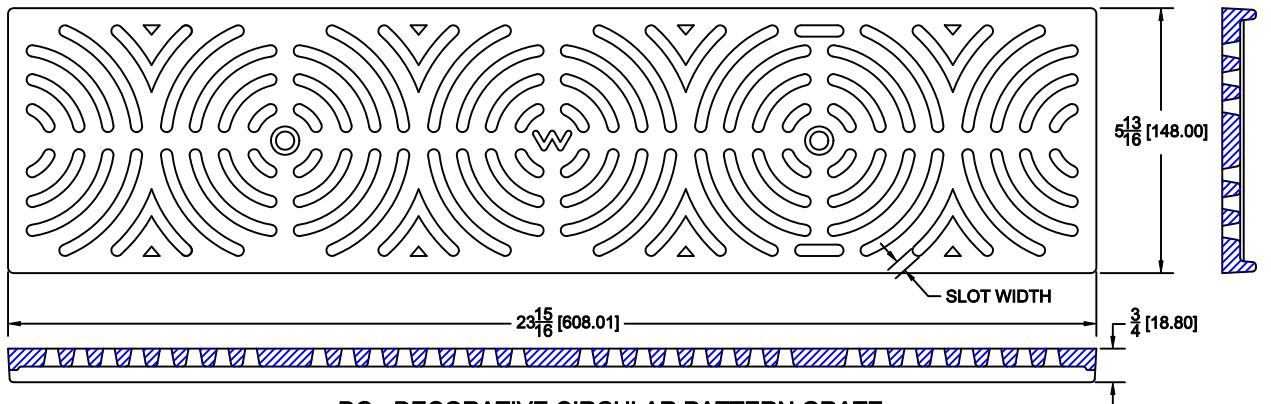
USE EITHER DLP, DLG, CLP OR CLG FRAME



DD - DECORATIVE DIAGONAL PATTERN GRATE

CATALOG NUMBER	MATERIAL	UPC NO.	FINISH	DIN DIN RATING	ANSI RATING	SLOT WIDTH	ADA	H-20	FAA	FREE AREA (SQ.IN.)	WGT (LBS)
DDP	DUCTILE IRON	480563	PAINTED	CLASS A	LIGHT DUTY	1/4"	YES	NO	NO	40.5	9.4
DDG	DUCTILE IRON	488194	GALVANIZED	CLASS A	LIGHT DUTY	1/4"	YES	NO	NO	40.5	9.4

USE EITHER DLP, DLG, CLP OR CLG FRAME



DC - DECORATIVE CIRCULAR PATTERN GRATE

CATALOG NUMBER	MATERIAL	UPC NO.	FINISH	DIN DIN RATING	ANSI RATING	SLOT WIDTH	ADA	H-20	FAA	FREE AREA (SQ.IN.)	WGT (LBS)
DCP	DUCTILE IRON	480556	PAINTED	CLASS C	HEAVY DUTY	1/4"	YES	YES	NO	35.6	11.2
DCG	DUCTILE IRON	488200	GALVANIZED	CLASS C	HEAVY DUTY	1/4"	YES	YES	NO	35.6	11.2

USE EITHER DLP, DLG, CLP OR CLG FRAME

HDPE TRENCH DRAIN SYSTEM



6" WIDE GRATES

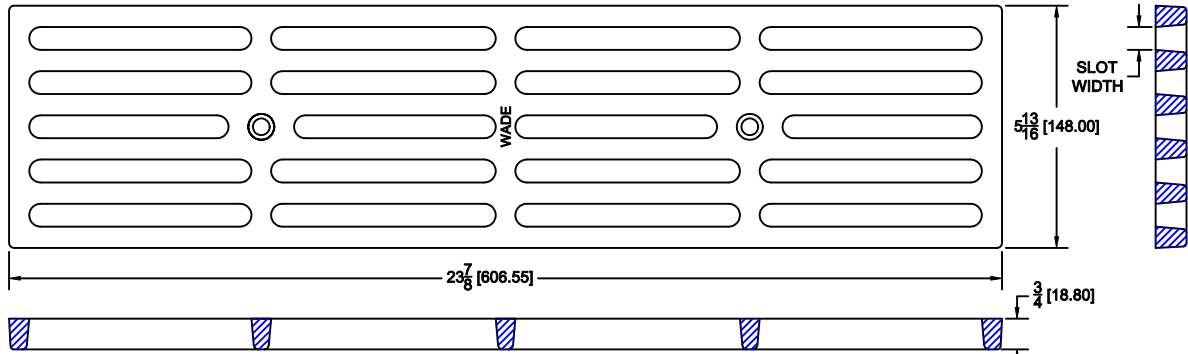
Approval Date

Customer Approval

Job Location

Job Name

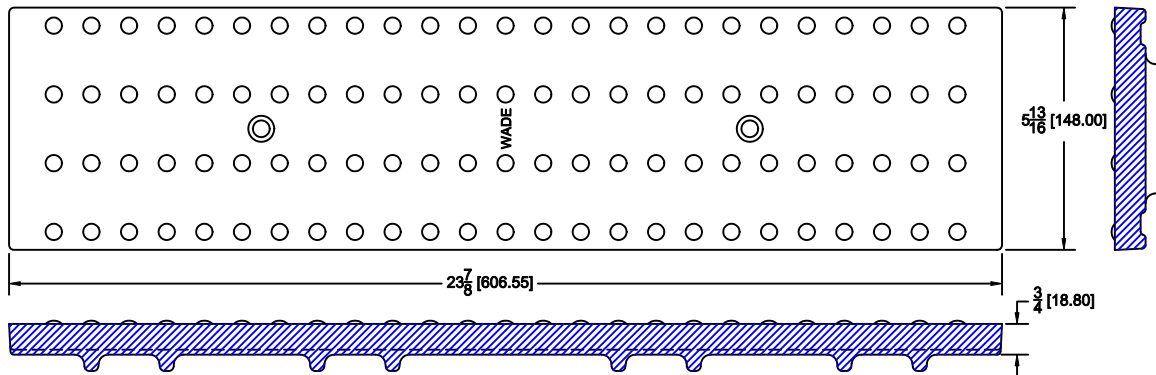
Dimensional Data (Inches/mm) are Subject to Manufacturers Tolerance and Change Without Notice. Wade Division / Tyler Pipe Assumes No Responsibility For Superseded or Voided Data



DH - LONGITUDINAL SLOTTED GRATE

CATALOG NUMBER	MATERIAL	UPC NO. 670610	FINISH	DIN DIN RATING	ANSI RATING	SLOT WIDTH	ADA	H-20	FAA	FREE AREA (SQ.IN.)	WGT (LBS)
DHP	DUCTILE IRON	480570	PAINTED	CLASS B	LIGHT DUTY	9/16"	NO	YES	NO	56.7	13.0
DHG	DUCTILE IRON	488170	GALVANIZED	CLASS B	LIGHT DUTY	9/16"	NO	YES	NO	56.7	13.0

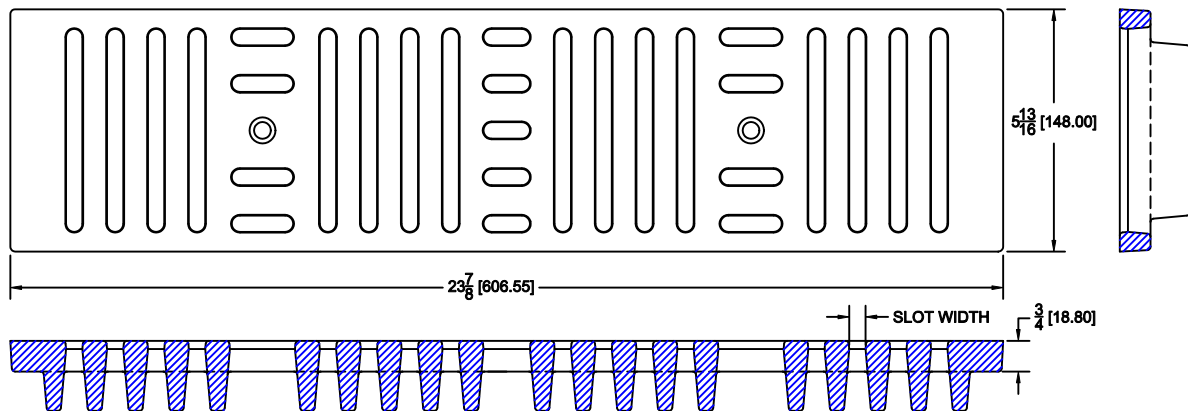
USE EITHER DLP, DLG, CLP OR CLG FRAME



DM - SOLID COVER

CATALOG NUMBER	MATERIAL	UPC NO. 670610	FINISH	DIN DIN RATING	ANSI RATING	SLOT WIDTH	ADA	H-20	FAA	FREE AREA (SQ.IN.)	WGT (LBS)
DMP	DUCTILE IRON	480587	PAINTED	CLASS E	SPECIAL DUTY	N/A	YES	YES	YES	NONE	16.0
DMG	DUCTILE IRON	488163	GALVANIZED	CLASS E	SPECIAL DUTY	N/A	YES	YES	YES	NONE	16.0

USE EITHER DLP, DLG, CLP OR CLG FRAME



DX - HEAVY SLOTTED GRATE

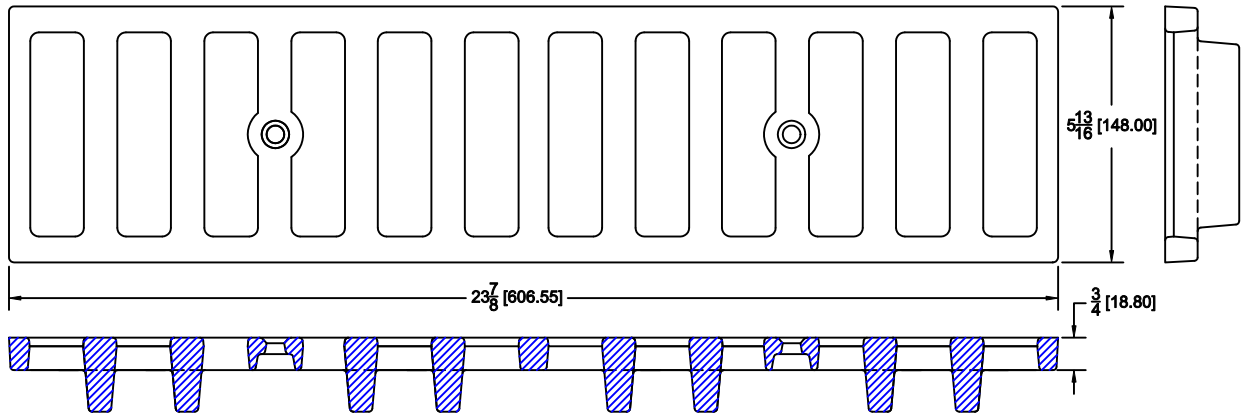
CATALOG NUMBER	MATERIAL	UPC NO. 670610	FINISH	DIN DIN RATING	ANSI RATING	SLOT WIDTH	ADA	H-20	FAA	FREE AREA (SQ.IN.)	WGT (LBS)
DXP	DUCTILE IRON	480594	PAINTED	CLASS F	SPECIAL DUTY	13/32"	NO	YES	YES	36.24	12.8
DXG	DUCTILE IRON	488613	GALVANIZED	CLASS F	SPECIAL DUTY	13/32"	NO	YES	YES	36.24	12.8

USE EITHER DLP, DLG, CLP OR CLG FRAME

HDPE TRENCH DRAIN SYSTEM



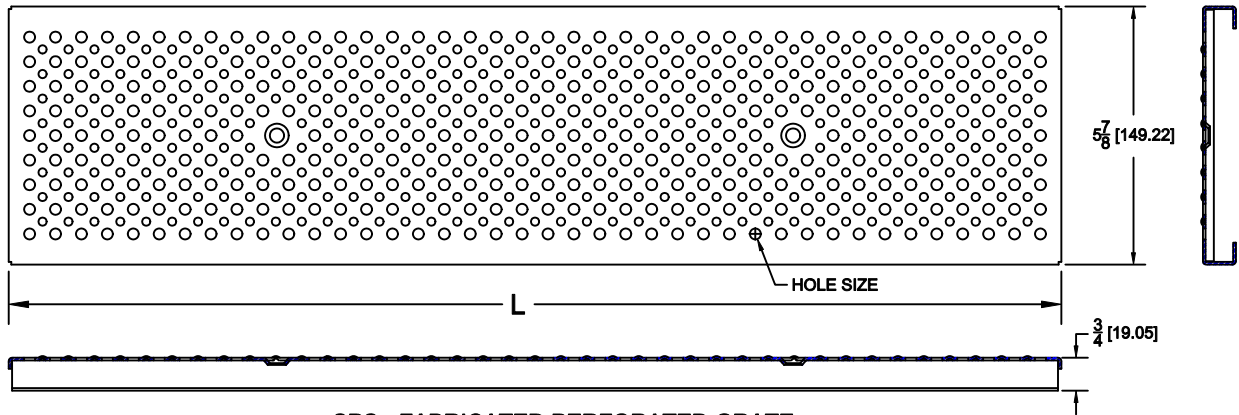
6" WIDE GRATES



DR - WIDE SLOT GRATE

CATALOG NUMBER	MATERIAL	UPC NO. 670610	FINISH	DIN DIN RATING	ANSI RATING	SLOT WIDTH	ADA	H-20	FAA	FREE AREA (SQ.IN.)	WGT (LBS)
DRP	DUCTILE IRON	488156	PAINTED	CLASS D	HEAVY DUTY	1 1/4"	NO	YES	YES	66.9	9.0
DRG	DUCTILE IRON	488149	GALVANIZED	CLASS D	HEAVY DUTY	1 1/4"	NO	YES	YES	66.9	9.0

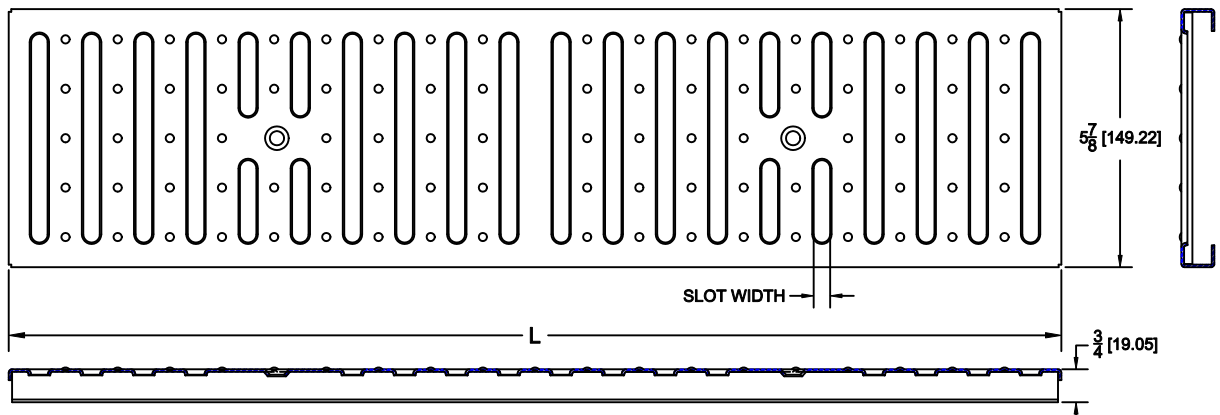
USE EITHER DLP, DLG, CLP OR CLG FRAME



SPS - FABRICATED PERFORATED GRATE

CATALOG NUMBER	MATERIAL	UPC NO. 670610	FINISH	DIN DIN RATING	ANSI RATING	HOLE SIZE	ADA	H-20	FAA	L (LENGTH)	FREE AREA (SQ.IN.)	WGT (LBS)
SPS2	304 STAINLESS STEEL	488941	SATIN	CLASS A	LIGHT DUTY	1/4"	YES	NO	NO	24	17.6	3.2
SPS4	304 STAINLESS STEEL	MTO	SATIN	CLASS A	LIGHT DUTY	1/4"	YES	NO	NO	48	35.6	6.4

USE EITHER SL OR SV FRAME



SDS - FABRICATED SLOTTED GRATE

CATALOG NUMBER	MATERIAL	UPC NO. 670610	FINISH	DIN DIN RATING	ANSI RATING	SLOT WIDTH	ADA	H-20	FAA	L (LENGTH)	FREE AREA (SQ.IN.)	WGT (LBS)
SDS2	304 STAINLESS STEEL	488927	SATIN	CLASS A	LIGHT DUTY	3/8"	NO	NO	NO	24	33.4	3.4
SDS4	304 STAINLESS STEEL	MTO	SATIN	CLASS A	LIGHT DUTY	3/8"	NO	NO	NO	48	66.8	6.8

USE EITHER SL OR SV FRAME

AutoCad.dwg

Approval Date

Customer Approval

Job Location

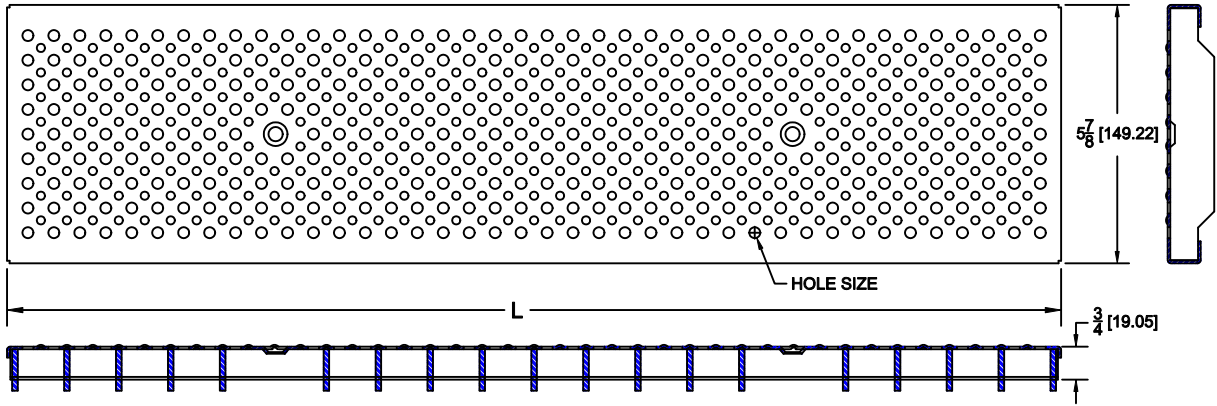
Job Name

Dimensional Data (Inches/mm) are Subject to Manufacturers Tolerance and Change Without Notice. Wade Division / Tyler Pipe Assumes No Responsibility For Superseded or Voided Data

HDPE TRENCH DRAIN SYSTEM



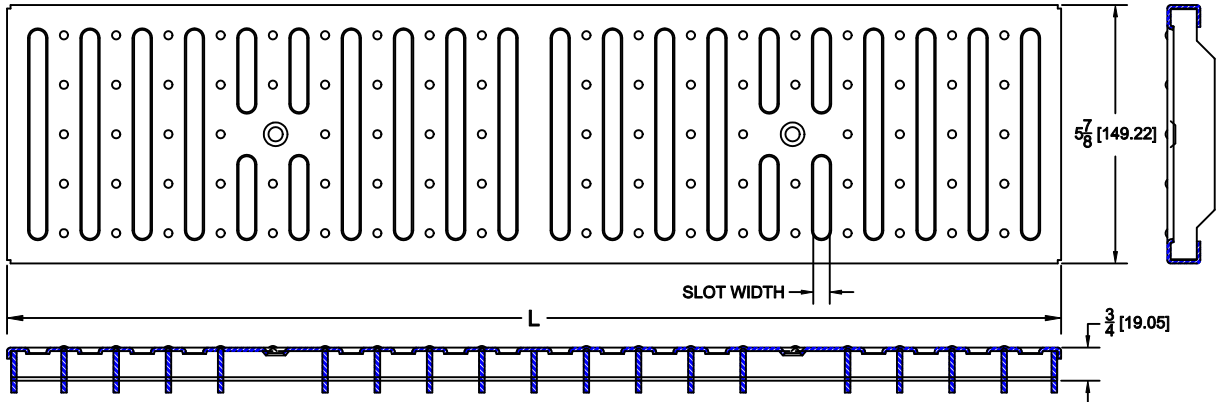
6" WIDE GRATES



SRS - FABRICATED PERFORATED GRATE - REINFORCED

CATALOG NUMBER	MATERIAL	UPC NO. 670610	FINISH	DIN DIN RATING	ANSI RATING	HOLE SIZE	ADA	H-20	FAA	L (LENGTH)	FREE AREA (SQ.IN)	WGT (LBS)
SRS2	304 STAINLESS STEEL	488958	SATIN	CLASS B	MEDIUM DUTY	1/4"	YES	NO	NO	24	17.6	7.6
SRS4	304 STAINLESS STEEL	MTO	SATIN	CLASS B	MEDIUM DUTY	1/4"	YES	NO	NO	48	35.6	15.2

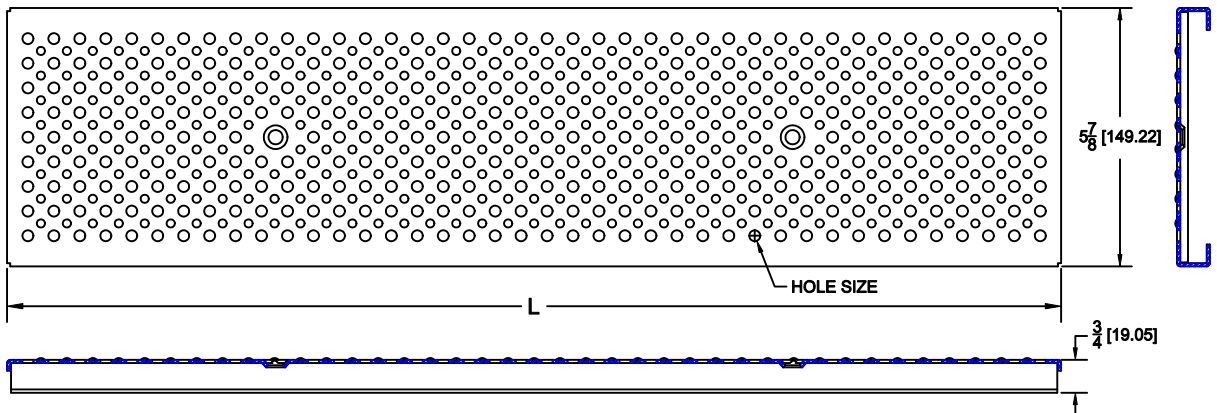
USE EITHER SL OR SV FRAME



SFS - FABRICATED SLOTTED GRATE - REINFORCED

CATALOG NUMBER	MATERIAL	UPC NO. 670610	FINISH	DIN DIN RATING	ANSI RATING	SLOT WIDTH	ADA	H-20	FAA	L (LENGTH)	FREE AREA (SQ.IN)	WGT (LBS)
SFS2	304 STAINLESS STEEL	488934	SATIN	CLASS B	MEDIUM DUTY	3/8"	YES	NO	NO	24	33.4	8.0
SFS4	304 STAINLESS STEEL	MTO	SATIN	CLASS B	MEDIUM DUTY	3/8"	YES	NO	NO	48	66.8	16.0

USE EITHER SL OR SV FRAME



FPG - FABRICATED PERFORATED GRATE

CATALOG NUMBER	MATERIAL	UPC NO. 670610	FINISH	DIN DIN RATING	ANSI RATING	HOLE SIZE	ADA	H-20	FAA	L (LENGTH)	FREE AREA (SQ.IN)	WGT (LBS)
FPG2	A36 CARBON STEEL	480624	GALVANIZED	CLASS A	LIGHT DUTY	1/4"	YES	NO	NO	24	17.6	3.2
FPG4	A36 CARBON STEEL	MTO	GALVANIZED	CLASS A	LIGHT DUTY	1/4"	YES	NO	NO	48	35.2	6.4

USE CLG FRAME

Approval Date

Customer Approval

Job Location

Job Name

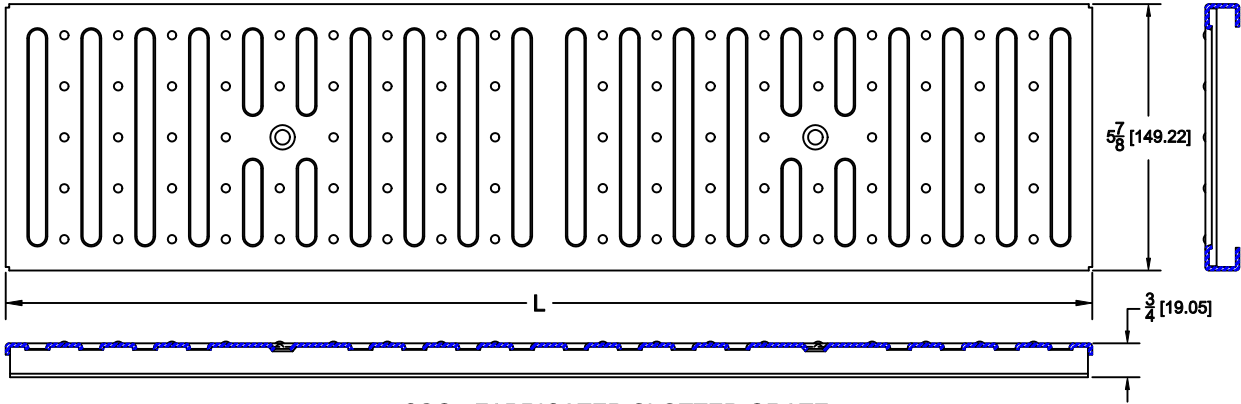
Dimensional Data (Inches/mm) are Subject to Manufacturers Tolerance and Change Without Notice. Wade Division / Tyler Pipe Assumes No Responsibility For Superseded or Voided Data

HDPE TRENCH DRAIN SYSTEM



Job Name: _____ Job Location: _____ Customer Approval: _____ Approval Date: _____
 Dimensional Data (Inches/mm) are Subject to Manufacturers Tolerance and Change Without Notice. Wade Division / Tyler Pipe Assumes No Responsibility For Superseded or Voided Data

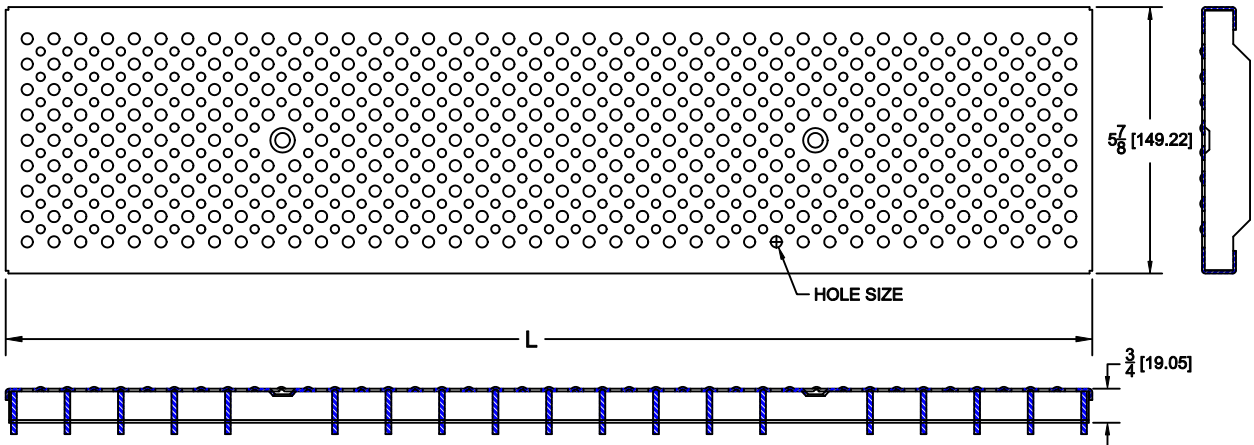
6" WIDE GRATES



CSG - FABRICATED SLOTTED GRATE

CATALOG NUMBER	MATERIAL	UPC NO. 670610	FINISH	DIN DIN RATING	ANSI RATING	SLOT WIDTH	ADA	H-20	FAA	L (LENGTH)	FREE AREA (SQ.IN.)	WGT (LBS)
CSG2	A36 CARBON STEEL	480532	GALVANIZED	CLASS A	LIGHT DUTY	3/8"	NO	NO	NO	24	33.4	3.4
CSG4	A36 CARBON STEEL	MTO	GALVANIZED	CLASS A	LIGHT DUTY	3/8"	NO	NO	NO	48	66.8	6.8

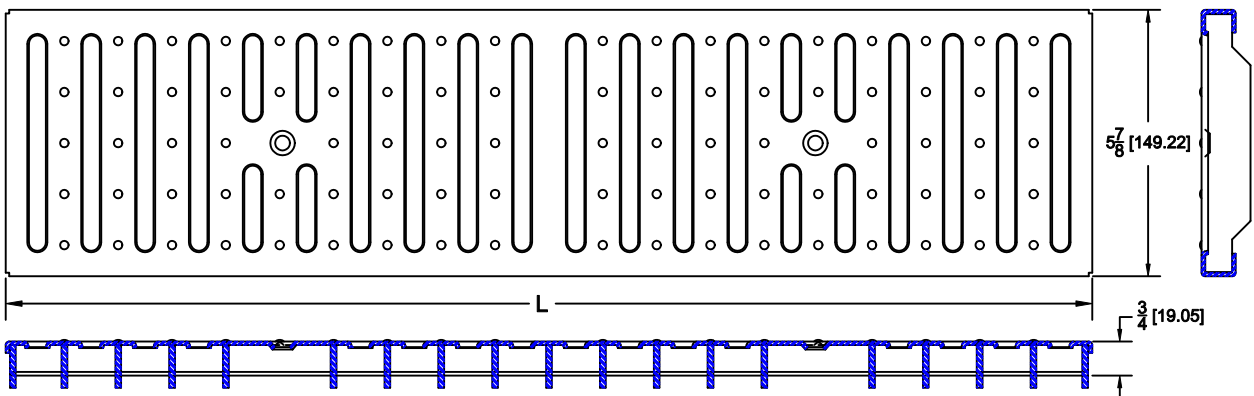
USE CLG FRAME



CPG - FABRICATED PERFORATED GRATE - REINFORCED

CATALOG NUMBER	MATERIAL	UPC NO. 670610	FINISH	DIN DIN RATING	ANSI RATING	HOLE SIZE	ADA	H-20	FAA	L (LENGTH)	FREE AREA (SQ.IN.)	WGT (LBS)
CPG2	A36 CARBON STEEL	480525	GALVANIZED	CLASS B	MEDIUM DUTY	1/4"	YES	NO	NO	24	17.6	8.0
CPG4	A36 CARBON STEEL	MTO	GALVANIZED	CLASS B	MEDIUM DUTY	1/4"	YES	NO	NO	48	35.2	16.0

USE CLG FRAME



RSG - FABRICATED SLOTTED GRATE - REINFORCED

CATALOG NUMBER	MATERIAL	UPC NO. 670610	FINISH	DIN DIN RATING	ANSI RATING	SLOT WIDTH	ADA	H-20	FAA	L (LENGTH)	FREE AREA (SQ.IN.)	WGT (LBS)
RSG2	A36 CARBON STEEL	488569	GALVANIZED	CLASS B	MEDIUM DUTY	3/8"	NO	NO	NO	24	33.4	8.0
RSG4	A36 CARBON STEEL	MTO	GALVANIZED	CLASS B	MEDIUM DUTY	3/8"	NO	NO	NO	48	66.8	16.0

USE CLG FRAME

AutoCad.dwg

HDPE TRENCH DRAIN SYSTEM



6" WIDE GRATES

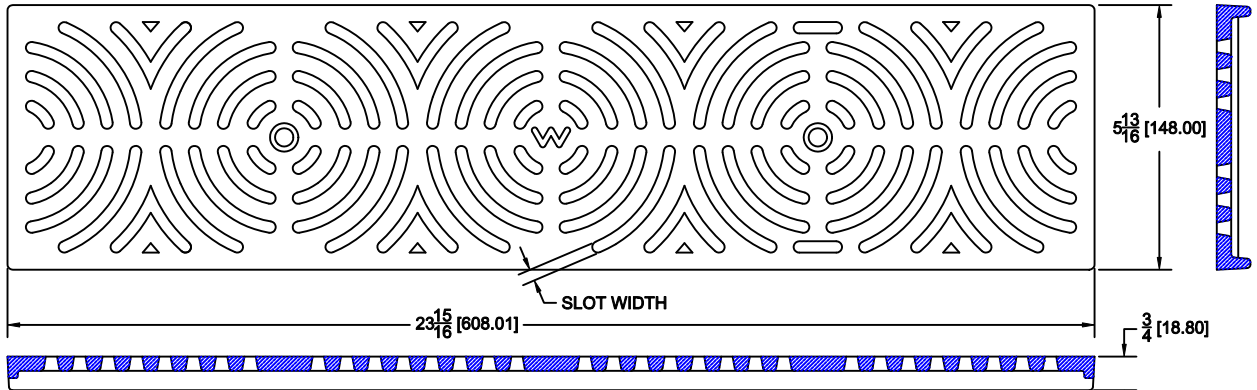
Approval Date

Customer Approval

Job Location

Job Name

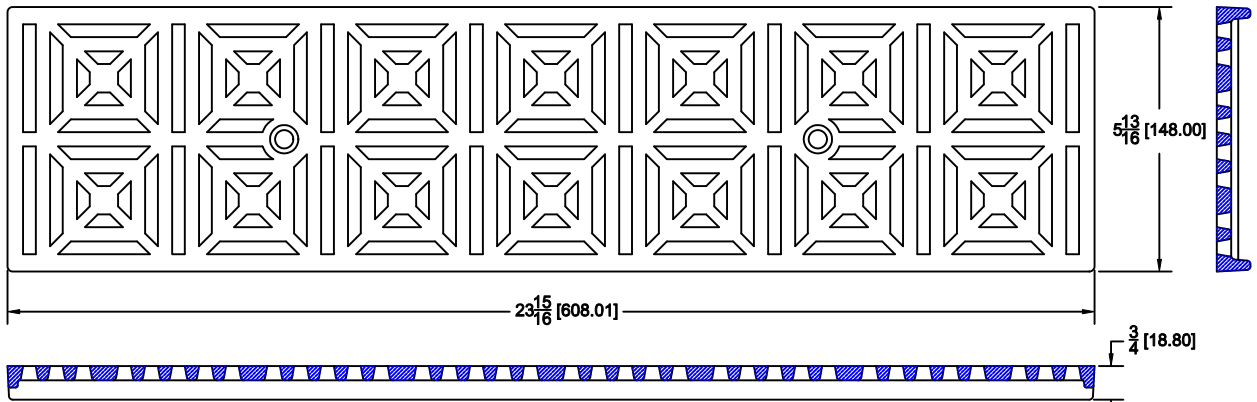
Dimensional Data (Inches/mm) are Subject to Manufacturers Tolerance and Change Without Notice. Wade Division / Tyler Pipe Assumes No Responsibility For Superseded or Voided Data



BCK - DECORATIVE CIRCULAR PATTERN GRATE

CATALOG NUMBER	MATERIAL	UPC NO.	FINISH	DIN DIN RATING	ANSI RATING	SLOT WIDTH	ADA	H-20	FAA	FREE AREA (SQ.IN.)	WGT (LBS)
BCK	NICKEL BRONZE	488996	SATIN	CLASS A	LIGHT DUTY	1/4"	YES	NO	NO	35.6	15.6

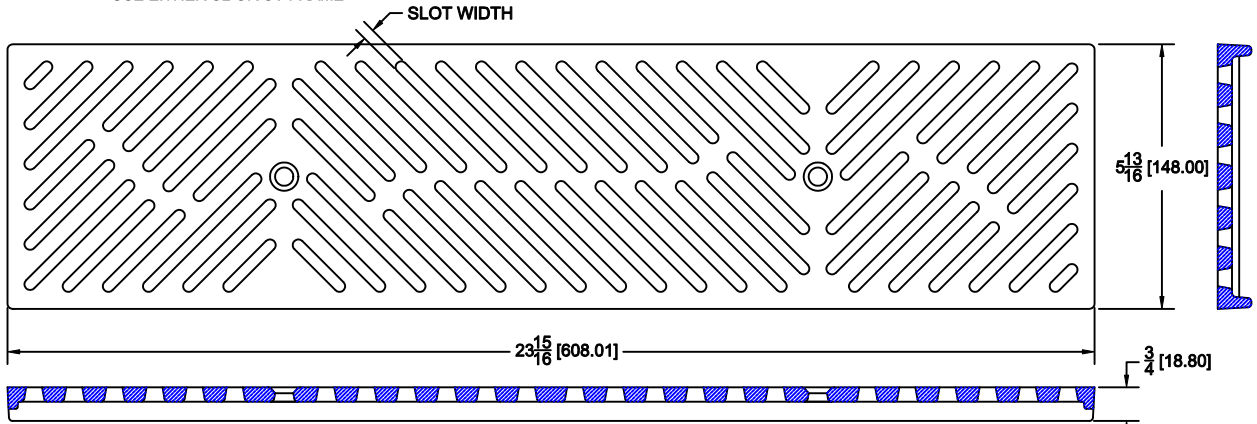
USE EITHER SL OR SV FRAME



BZK - DECORATIVE SQUARE PATTERN GRATE

CATALOG NUMBER	MATERIAL	UPC NO.	FINISH	DIN DIN RATING	ANSI RATING	SLOT WIDTH	ADA	H-20	FAA	FREE AREA (SQ.IN.)	WGT (LBS)
BZK	NICKEL BRONZE	489016	SATIN	CLASS A	LIGHT DUTY	1/4"	YES	NO	NO	46.4	12.4

USE EITHER SL OR SV FRAME



BDK - DECORATIVE DIAGONAL PATTERN GRATE

CATALOG NUMBER	MATERIAL	UPC NO.	FINISH	DIN DIN RATING	ANSI RATING	SLOT WIDTH	ADA	H-20	FAA	FREE AREA (SQ.IN.)	WGT (LBS)
BDK	NICKEL BRONZE	489009	SATIN	CLASS A	LIGHT DUTY	1/4"	YES	NO	NO	40.5	13.8

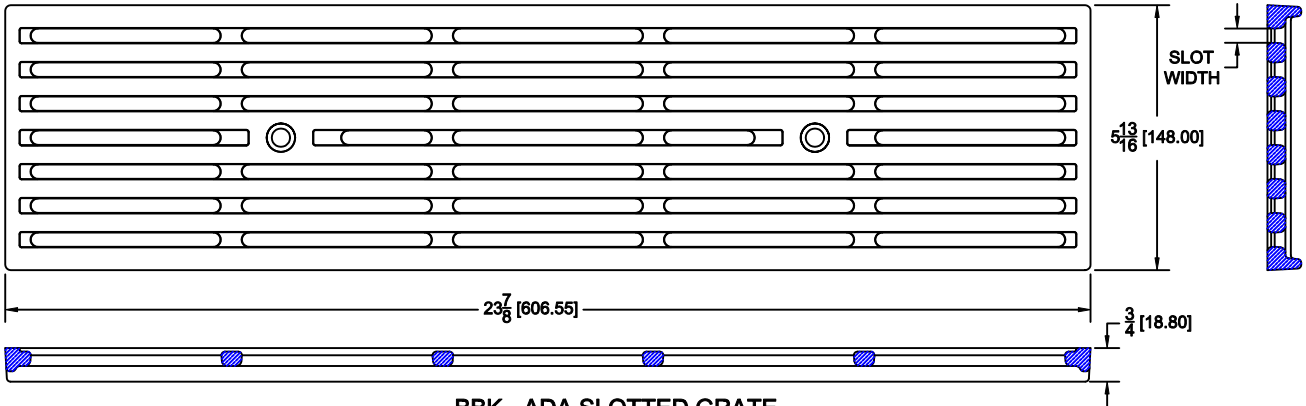
USE EITHER SL OR SV FRAME

HDPE TRENCH DRAIN SYSTEM



Job Name: _____ Job Location: _____ Customer Approval: _____ Approval Date: _____
 Dimensional Data (Inches/mm) are Subject to Manufacturers Tolerance and Change Without Notice. Wade Division / Tyler Pipe Assumes No Responsibility For Superseded or Voided Data

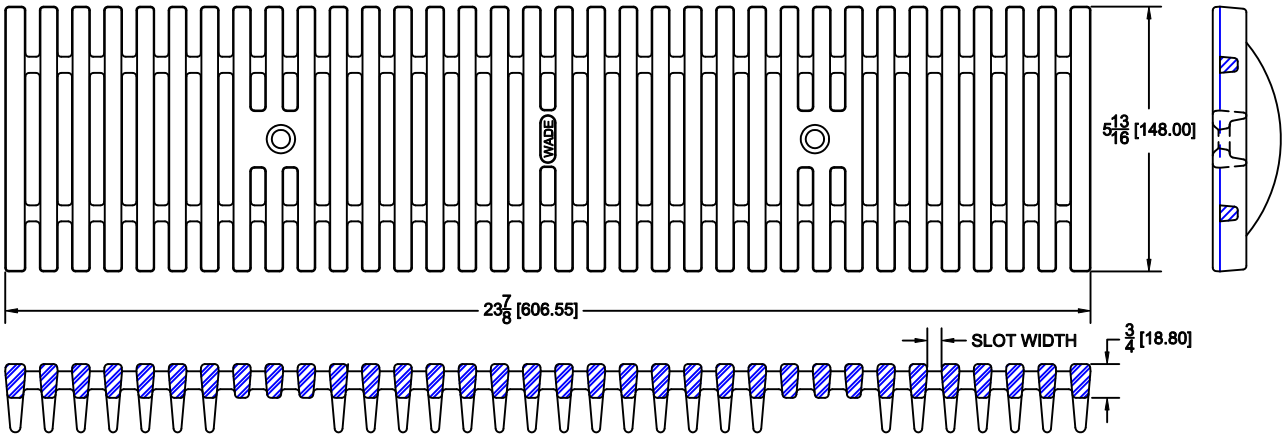
6" WIDE GRATES



BBK - ADA SLOTTED GRATE

CATALOG NUMBER	MATERIAL	UPC NO.	FINISH	DIN DIN RATING	ANSI RATING	SLOT WIDTH	ADA	H-20	FAA	FREE AREA (SQ.IN.)	WGT (LBS)
BBK	NICKEL BRONZE	488989	SATIN	CLASS A	LIGHT DUTY	1/4"	YES	NO	NO	38.2	15.6

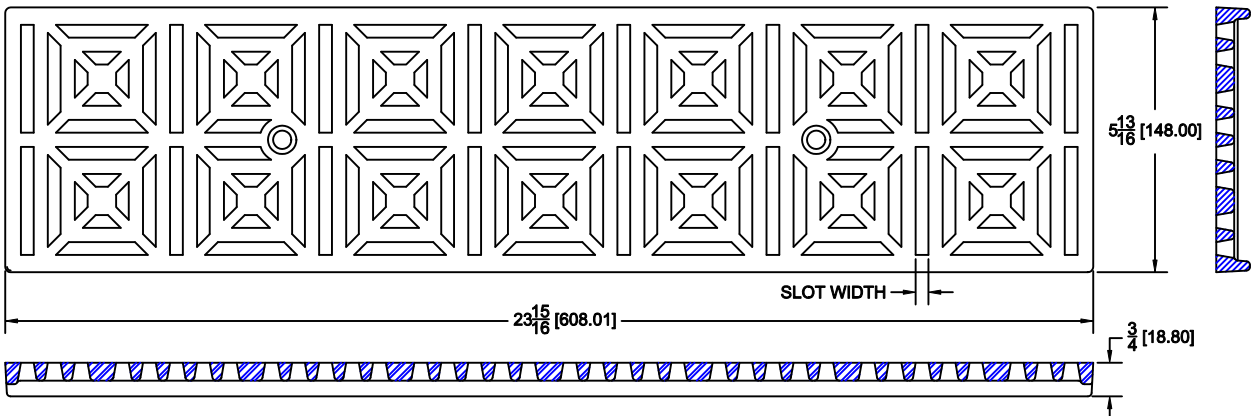
USE EITHER SL OR SV FRAME



SBS - BAR GRATE

CATALOG NUMBER	MATERIAL	UPC NO.	FINISH	DIN DIN RATING	ANSI RATING	SLOT WIDTH	ADA	H-20	FAA	FREE AREA (SQ.IN.)	WGT (LBS)
SBS	304 STAINLESS STEEL	488903	SATIN	CLASS E	SPECIAL DUTY	5/16"	NO	YES	NO	38.0	18.8

USE EITHER SL OR SV FRAME



SZS - DECORATIVE SQUARE PATTERN GRATE

CATALOG NUMBER	MATERIAL	UPC NO.	FINISH	DIN DIN RATING	ANSI RATING	SLOT WIDTH	ADA	H-20	FAA	FREE AREA (SQ.IN.)	WGT (LBS)
SZS	304 STAINLESS STEEL	488972	SATIN	CLASS B	MEDIUM DUTY	9/32"	YES	NO	NO	46.4	11.2

USE EITHER SL OR SV FRAME

HDPE TRENCH DRAIN SYSTEM



6" WIDE GRATES

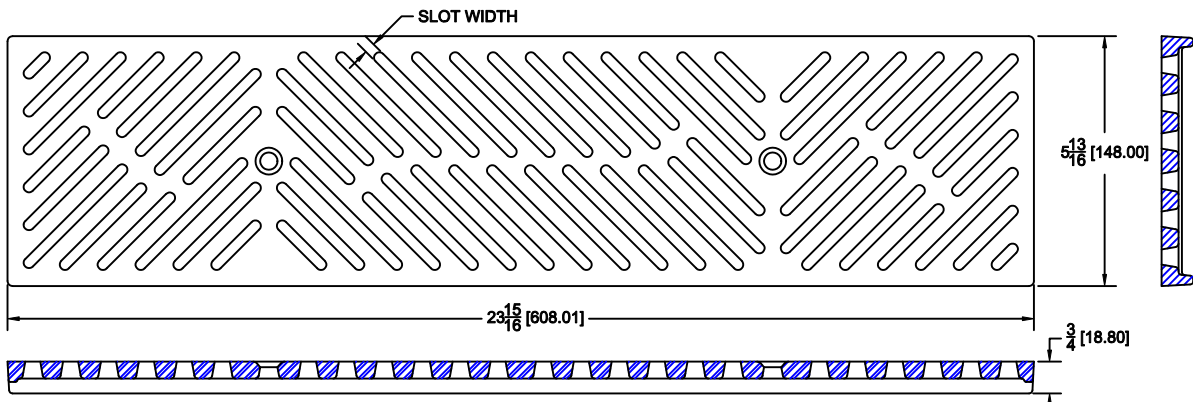
Approval Date

Customer Approval

Job Location

Job Name

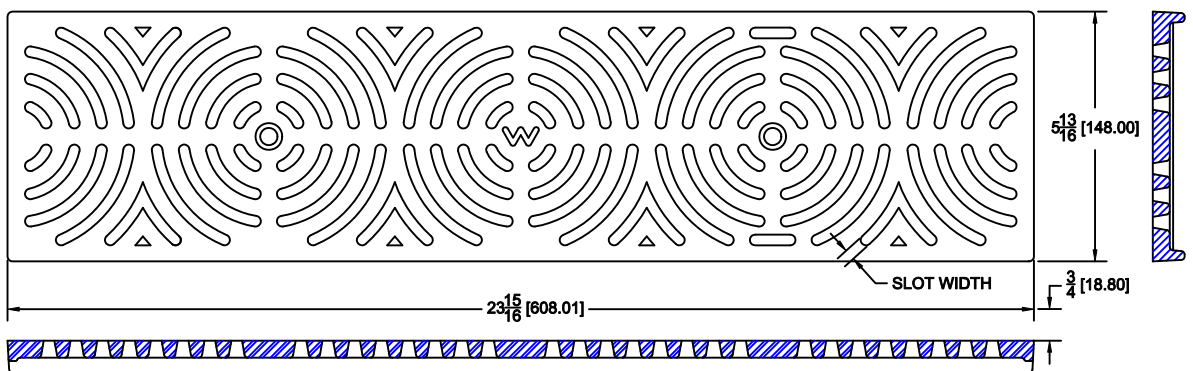
Dimensional Data (Inches/mm) are Subject to Manufacturers Tolerance and Change Without Notice. Wade Division / Tyler Pipe Assumes No Responsibility For Superseded or Voided Data



DDS - DECORATIVE DIAGONAL PATTERN GRATE

CATALOG NUMBER	MATERIAL	UPC NO. 670610	FINISH	DIN DIN RATING	ANSI RATING	SLOT WIDTH	ADA	H-20	FAA	FREE AREA (SQ.IN.)	WGT (LBS)
DDS	304 STAINLESS STEEL	488187	SATIN	CLASS B	MEDIUM DUTY	1/4"	YES	NO	NO	40.5	12.6

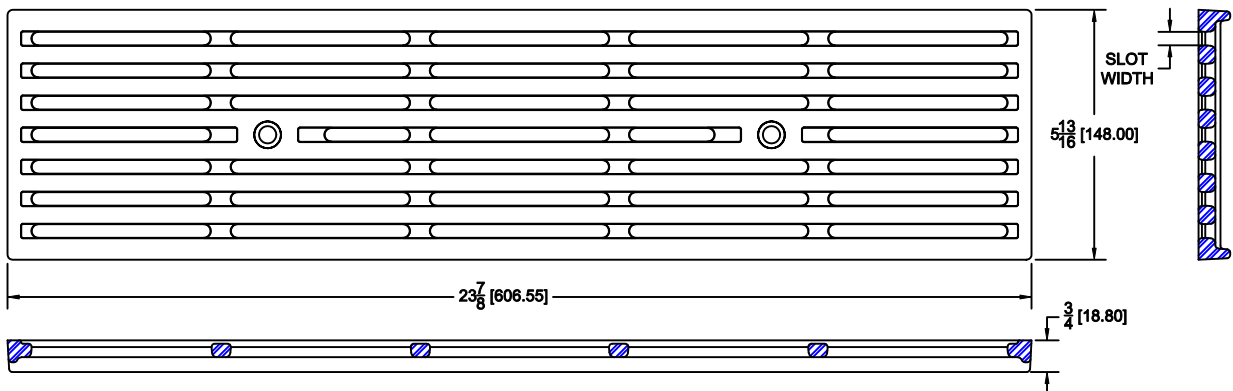
USE EITHER SL OR SV FRAME



SCS - DECORATIVE CIRCULAR PATTERN GRATE

CATALOG NUMBER	MATERIAL	UPC NO. 670610	FINISH	DIN DIN RATING	ANSI RATING	SLOT WIDTH	ADA	H-20	FAA	FREE AREA (SQ.IN.)	WGT (LBS)
SCS	304 STAINLESS STEEL	488910	SATIN	CLASS C	HEAVY DUTY	1/4"	YES	NO	NO	35.6	14.4

USE EITHER SL OR SV FRAME



SSS - ADA SLOTTED GRATE

CATALOG NUMBER	MATERIAL	UPC NO. 670610	FINISH	DIN DIN RATING	ANSI RATING	SLOT WIDTH	ADA	H-20	FAA	FREE AREA (SQ.IN.)	WGT (LBS)
SSS	304 STAINLESS STEEL	488965	SATIN	CLASS A	LIGHT DUTY	1/4"	YES	NO	NO	38.2	14.2

USE EITHER SL OR SV FRAME

HDPE TRENCH DRAIN SYSTEM



6" WIDE GRATES

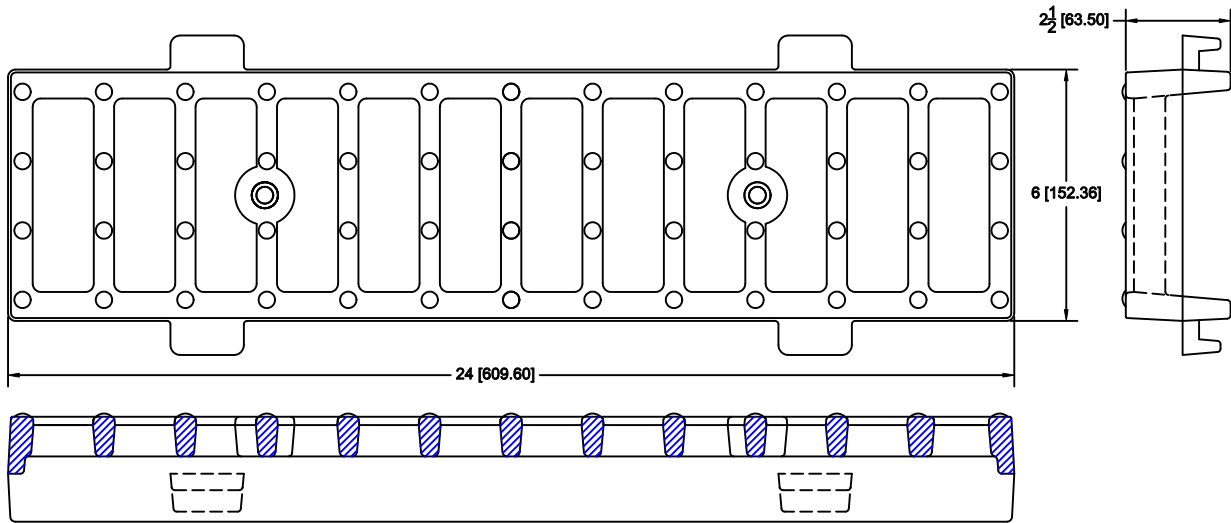
Approval Date

Customer Approval

Job Location

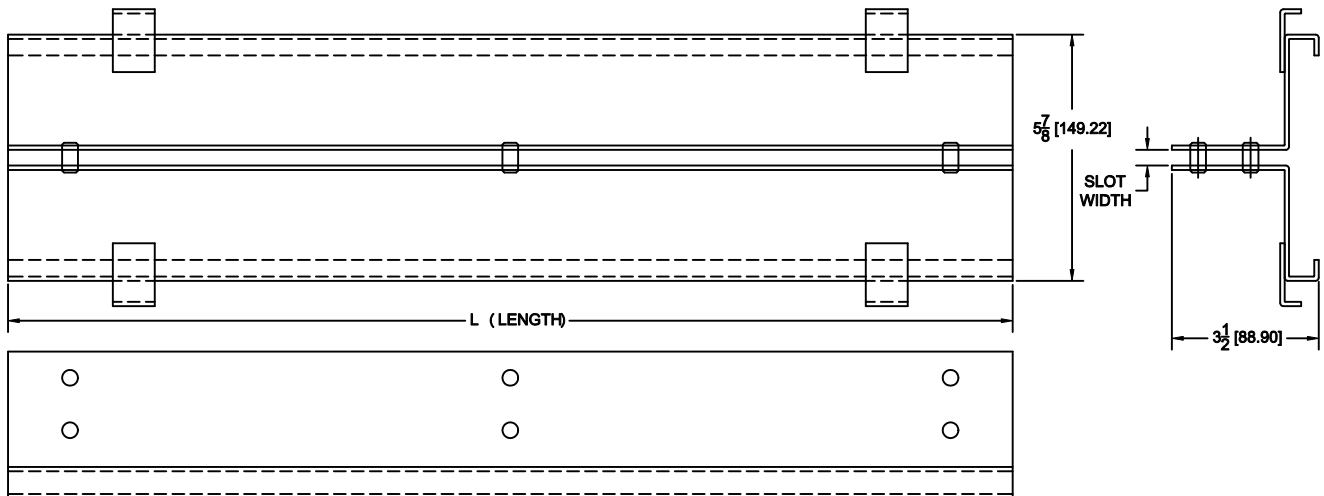
Job Name

Waide Division / Tyler Pipe Assumes No Responsibility For Superseded or Voided Data
Dimensional Data (Inches/mm) are Subject to Manufacturers Tolerance and Change Without Notice.



HH - HIGHWAY DOMESTIC

CATALOG NUMBER	MATERIAL	UPC NO. 670610	FINISH	DIN DIN RATING	ANSI RATING	SLOT WIDTH	ADA	H-20	FAA	FREE AREA (SQ.IN.)	WGT (LBS)
HHP	DUCTILE IRON	480631	PAINTED	CLASS C	HEAVY DUTY	1 3/8"	NO	YES	YES	78.7	15.4
HHG	DUCTILE IRON	488583	GALVANIZED	CLASS C	HEAVY DUTY	1 3/8"	NO	YES	YES	78.7	15.4



CN / CM - PAVER SLOT GRATE

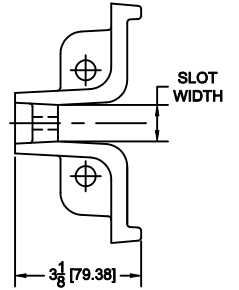
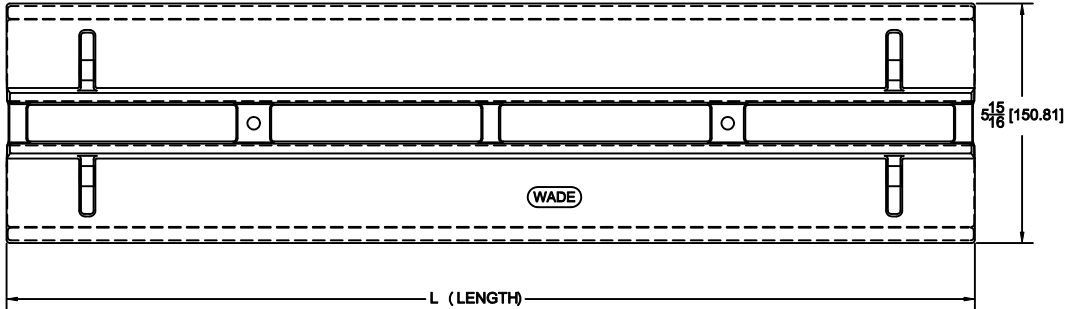
CATALOG NUMBER	MATERIAL	UPC NO. 670610	FINISH	DIN DIN RATING	ANSI RATING	SLOT WIDTH	ADA	H-20	FAA	FREE AREA (SQ.IN.)	L (LENGTH)	WGT (LBS)
CMP	CARBON STEEL	MTO	POWDER COATED	CLASS C	HEAVY DUTY	3/8"	NO	YES	NO	8.9	24"	9.2
CMG	CARBON STEEL	MTO	GALVANIZED	CLASS C	HEAVY DUTY	3/8"	NO	YES	NO	8.9	24"	9.2
CNP	CARBON STEEL	MTO	POWDER COATED	CLASS C	HEAVY DUTY	3/8"	NO	YES	NO	17.8	48"	18.4
CNG	CARBON STEEL	MTO	GALVANIZED	CLASS C	HEAVY DUTY	3/8"	NO	YES	NO	17.8	48"	18.4

HDPE TRENCH DRAIN SYSTEM



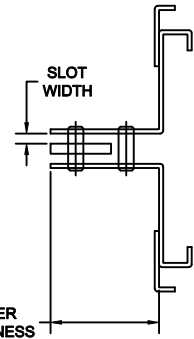
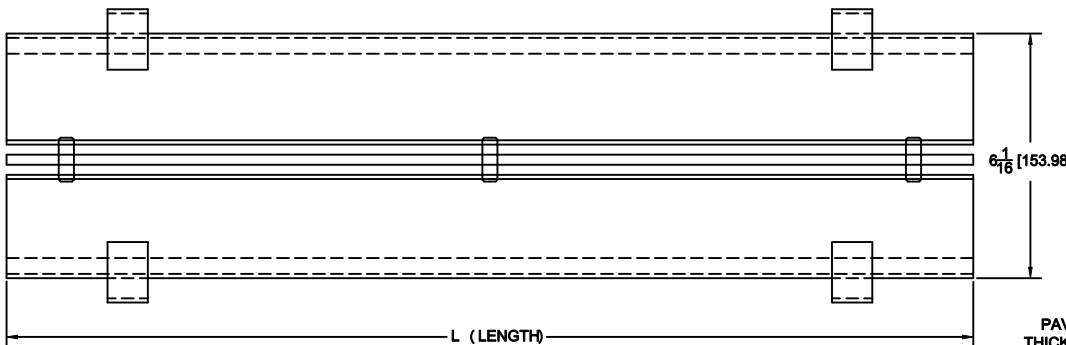
Job Name: _____ Job Location: _____ Customer Approval: _____ Approval Date: _____
 Dimensional Data (Inches/mm) are Subject to Manufacturers Tolerance and Change Without Notice. Wade Division / Tyler Pipe Assumes No Responsibility For Superseded or Voided Data

PAVER TOPS



HL - SLOTTED GRATE

CATALOG NUMBER	MATERIAL	UPC NO. 670610	FINISH	DIN DIN RATING	ANSI RATING	SLOT WIDTH	ADA	H-20	FAA	FREE AREA (SQ.IN.)	L (LENGTH)	WGT (LBS)
HLP	CAST IRON	489023	PAINTED	CLASS C	HEAVY DUTY	.906"	NO	YES	NO	18.79	24"	25.4
HLG	CAST IRON	489030	GALVANIZED	CLASS C	HEAVY DUTY	.906"	NO	YES	NO	18.79	24"	25.4



SN / SM - PAVER SLOT GRATE

CATALOG NUMBER	MATERIAL	UPC NO. 670610	FINISH	DIN DIN RATING	ANSI RATING	SLOT WIDTH	ADA	H-20	FAA	FREE AREA (SQ.IN.)	L (LENGTH)	WGT (LBS)
SMS	STAINLESS STEEL	MTO	SATIN	CLASS C	HEAVY DUTY	1/4"	YES	YES	NO	11.4	24"	9.4
SNS	STAINLESS STEEL	MTO	SATIN	CLASS C	HEAVY DUTY	1/4"	YES	YES	NO	22.8	48"	18.8
SMG	CARBON STEEL	MTO	GALVANIZED	CLASS C	HEAVY DUTY	1/4"	YES	YES	NO	11.4	24"	9.4
SNG	CARBON STEEL	MTO	GALVANIZED	CLASS C	HEAVY DUTY	1/4"	YES	YES	NO	22.8	48"	18.8

HDPE TRENCH DRAIN SYSTEM



6" WIDE GRATES

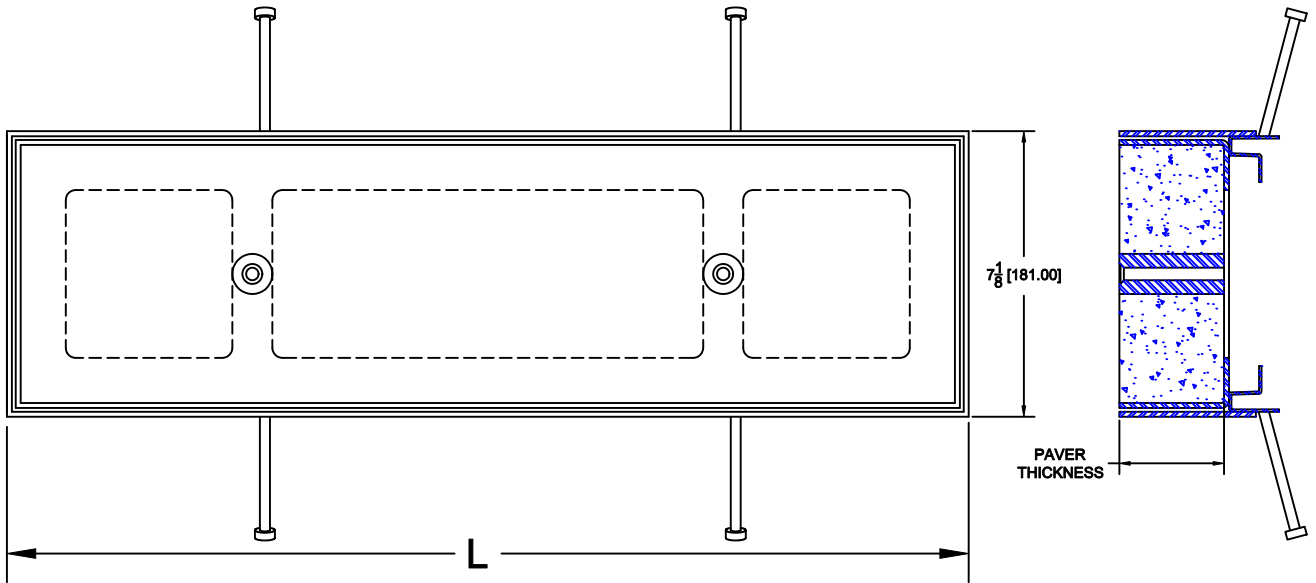
Approval Date

Customer Approval

Job Location

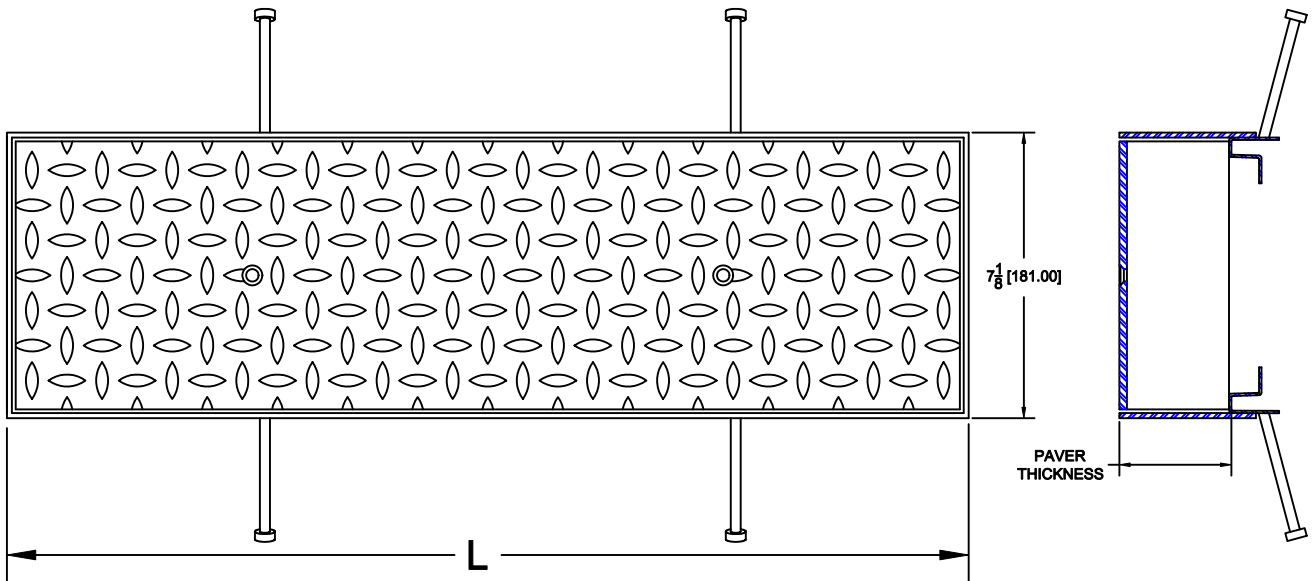
Job Name

Waide Division / Tyler Pipe Assumes No Responsibility For Superseded or Voided Data
are Subject to Manufacturers Tolerance and Change Without Notice.



SO - PAVER COVER

CATALOG NUMBER	MATERIAL	UPC NO. 670610	FINISH	DIN DIN RATING	ANSI RATING	PAVER THICKNESS	ADA	H-20	FAA	L (LENGTH)	WGT (LBS)
SOS	STAINLESS STEEL	MTO	SATIN	CLASS C	HEAVY DUTY		YES	YES	NO	24"	16.5
SOG	CARBON STEEL	MTO	GALVANIZED	CLASS C	HEAVY DUTY		YES	YES	NO	24"	16.5



SQ - PAVER COVER

CATALOG NUMBER	MATERIAL	UPC NO. 670610	FINISH	DIN DIN RATING	ANSI RATING	PAVER THICKNESS	ADA	H-20	FAA	L (LENGTH)	WGT (LBS)
SQS	STAINLESS STEEL	MTO	SATIN	CLASS C	HEAVY DUTY		YES	YES	NO	24"	25.2
SQG	CARBON STEEL	MTO	GALVANIZED	CLASS C	HEAVY DUTY		YES	YES	NO	24"	25.2

HDPE TRENCH DRAIN SYSTEM



6" WIDE GRATES

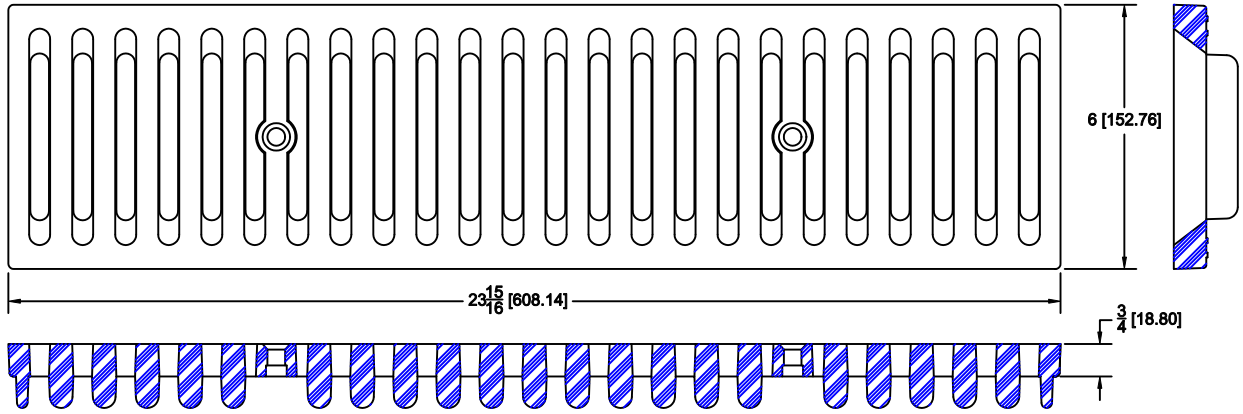
Approval Date

Customer Approval

Job Location

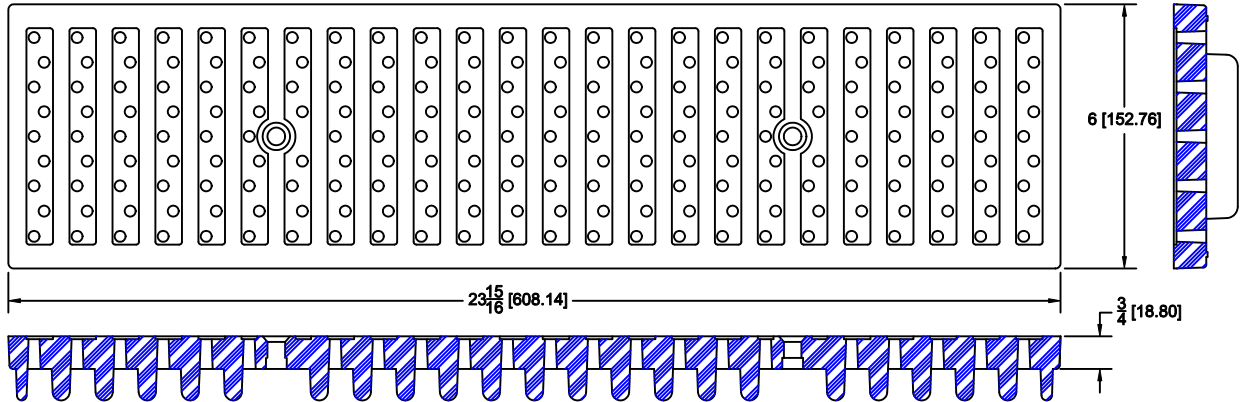
Job Name

Dimensional Data (Inches/mm) are Subject to Manufacturers Tolerance and Change Without Notice. Wade Division / Tyler Pipe Assumes No Responsibility For Superseded or Voided Data



PS - SLOTTED GRATE

SUFFIX	MATERIAL	UPC NO. 670810	COLOR	DIN DIN RATING	ANSI RATING	SLOT WIDTH	ADA	H-20	FAA	FREE AREA (SQ.IN.)	WGT (LBS)
PSB	POLYOLEFIN	MT0	BLACK	CLASS B	MEDIUM DUTY	1/2"	NO	NO	NO	41.7	2.92
PSG	POLYOLEFIN	MT0	GREY	CLASS B	MEDIUM DUTY	1/2"	NO	NO	NO	41.7	2.92



PPG - PERFORATED GRATE

SUFFIX	MATERIAL	UPC NO. 670610	COLOR	DIN DIN RATING	ANSI RATING	HOLE SIZE	ADA	H-20	FAA	FREE AREA (SQ.IN.)	WGT (LBS)
PPG	POLYOLEFIN	MT0	GREY	CLASS B	MEDIUM DUTY	1/4"	YES	NO	NO	17.2	3.0

HDPE TRENCH DRAIN SYSTEM



FRAMES

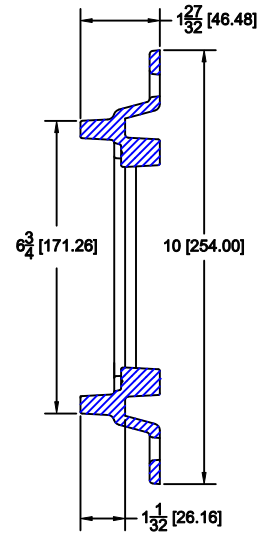
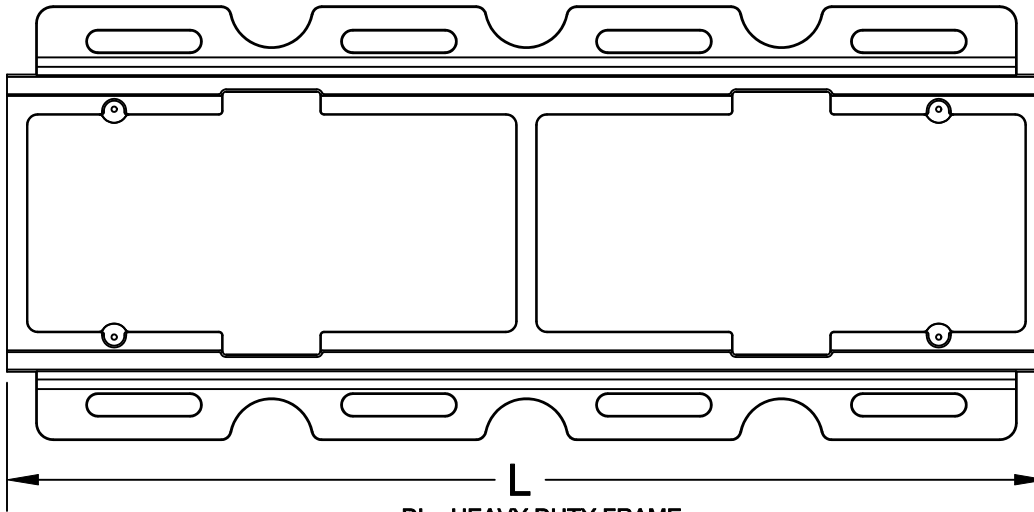
Approval Date

Customer Approval

Job Location

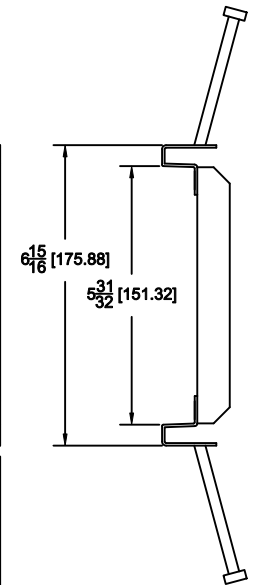
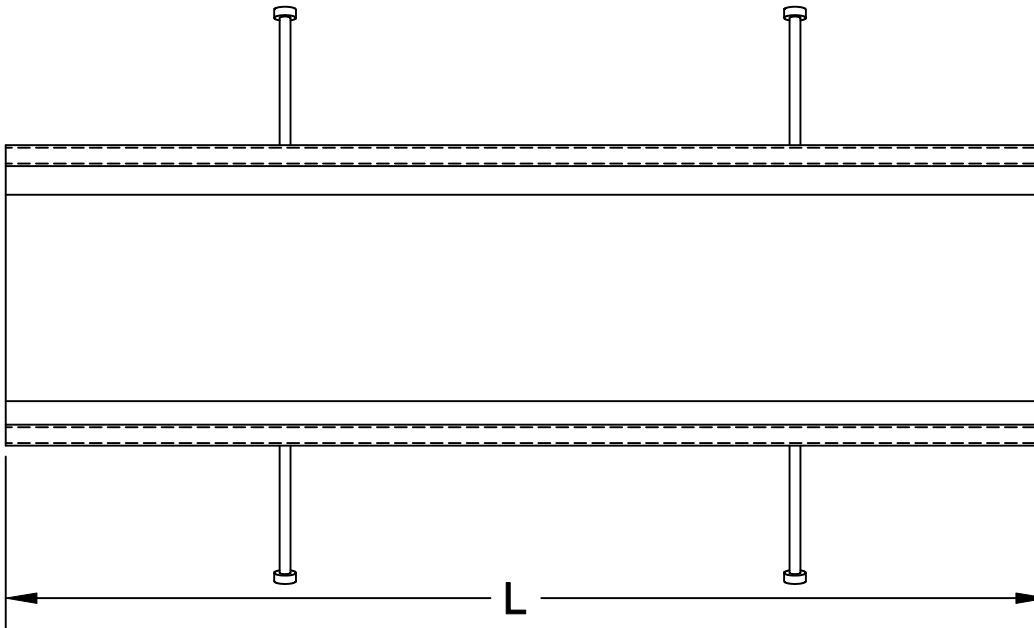
Job Name

Wade Division / Tyler Pipe Assumes No Responsibility For Superseded or Voided Data
Dimensional Data (Inches/mm) are Subject to Manufacturers Tolerance and Change Without Notice.



DL - HEAVY DUTY FRAME

CATALOG NUMBER	MATERIAL	UPC NO. 670610	FINISH	L (LENGTH)	WEIGHT (LBS)
DLP	DUCTILE IRON	463306	PAINTED	24	6.9
DLG	DUCTILE IRON	489139	GALVANIZED	24	6.9



FABRICATED FRAMES

SUFFIX	MATERIAL	UPC NO. 670610	FINISH	L (LENGTH)	ANCHORS (QTY)	WEIGHT (LBS)
CLP2	CARBON STEEL	489146	POWDER COATED	24	4	3.8
CLP4	CARBON STEEL	489184	POWDER COATED	48	8	7.6
CLG2	CARBON STEEL	489153	GALVANIZED	24	4	3.8
CLG4	CARBON STEEL	489191	GALVANIZED	48	8	7.6
SLS2	304 STAINLESS STEEL	489160	SATIN	24	4	3.8
SLS4	304 STAINLESS STEEL	489207	SATIN	48	8	7.6
SVS2	304 STAINLESS STEEL	489177	SATIN	24	NONE	3.4
SVS4	304 STAINLESS STEEL	489214	SATIN	48	NONE	6.8